

PRISM LEVEL GAUGE

For Oil Filled Transformer

Model 810 Series



FEATURES

- Extruded brass, stainless steel components for use in extreme outdoor conditions.
- 100% Valve tested for leakage and refraction.

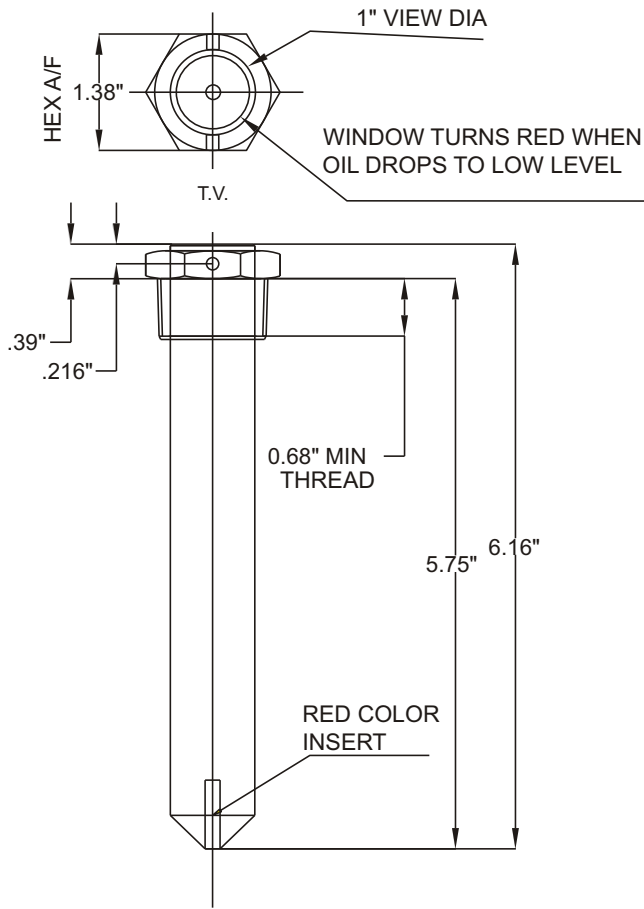
VIAT

INSTRUMENTS

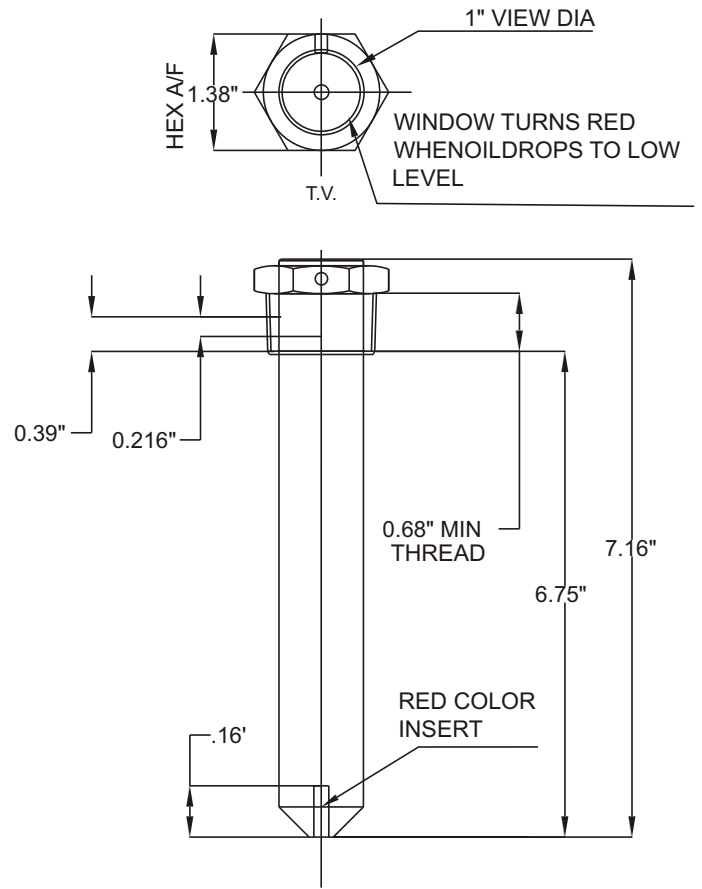
CA810R0



MODEL 810-1



MODEL 810-2



WORKING

Industry and ANSI standards specify liquid level gauges to measure and indicate the levels of Oil in transformers and related equipments. The prism level gauge provides a non mechanical, easy to install method of instantly checking transformer oil levels. The length of the liquid level gauge rod has to be ascertained by transformer manufacturers and specified while ordering.

PART LIST

PART NO.	DESCRIPTION	MATERIAL
01	PRISM	ACRYLIC
02	COLLAR	BRASS
03	'O' RING	NBR
04	RIVET	SS

Due to our policy of continuous product improvement, dimensions and designs are subject to change.



VIAT INSTRUMENTS PVT. LTD.

2701 to 2704, Shilpangan Phase-II, Block LB-1
Sector-III, Salt Lake, Kolkata - 700 098, INDIA
Phones : (91-33) 9903805104, 23352925 ● Fax : (91-33) 23352926
E-mail : viatin@viatin.com ● Website : www.viatin.com

VIAT AMERICA, INC.

30 Shepard, Irvine, CA 92620
Tel: 949-679-0950 Fax: 949-417-1358
E-mail : sunil.gupta@viatamerica.com
Website : www.viatamerica.com