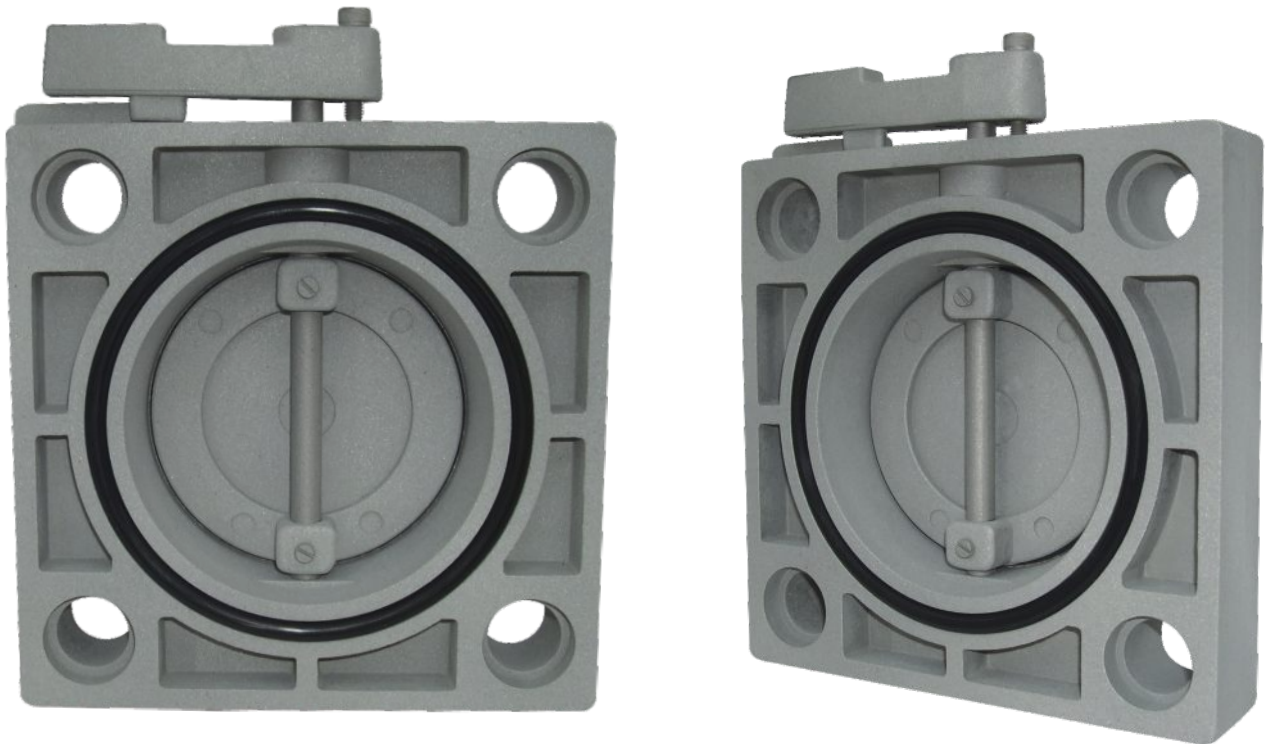


# THROTTLE VALVE FOR TRANSFORMER RADIATORS

Model 207 Series



## FEATURES

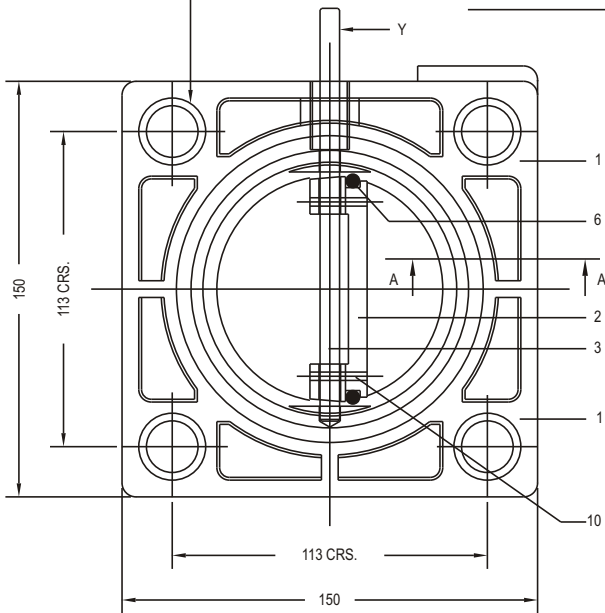
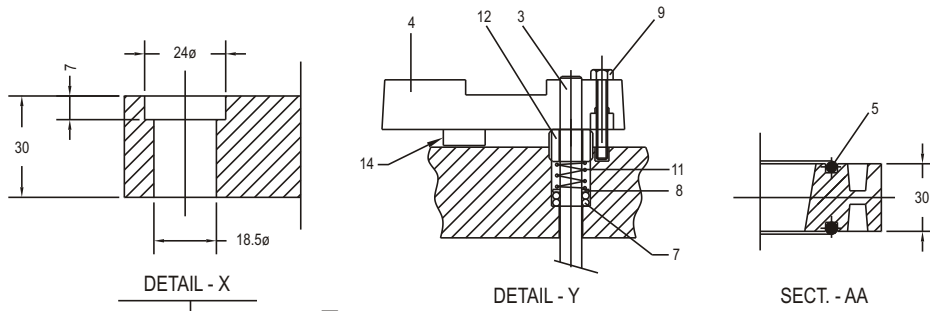
- Pressure die cast Aluminium body, flap and operating handle.
- Aluminium flap with NBR 'O' ring ensures zero leakage when the valve is closed.
- Optional M16 fixing screws.
- Mounting gasket supplied with the valves.
- Spring loaded screws with double 'O' Ring provides fool proof sealing from shaft.
- Suitable for highly corrosive outdoor applications.
- Very light and sturdy construction.
- NBR 'O' Ring easily replaceable.

**VIAT**

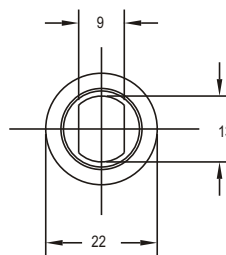
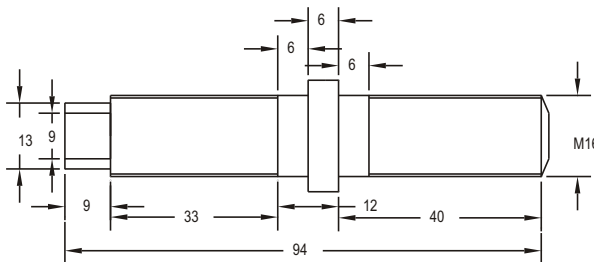
**INSTRUMENTS**

CA207R0





Part No.	Quantity	Description	Material
1	1	Body	AL LM24
2	1	Flap	AL LM24
3	1	Shaft	Stainless Steel
4	1	Latch	AL LM24
5	2	O-Ring	NBR
6	1	O-Ring	NBR
7	2	O-Ring	NBR
8	2	Washer	Stainless Steel
9	1	Screw M5x30	Stainless Steel
10	2	Pin	Stainless Steel
11	1	Spring	Stainless Steel
12	1	Prets Screw	Stainless Steel
13	4	M16 Fixing Screw	Mild Steel



M16 FIXING SCREW

Due to our policy of continuous product improvement, dimensions and designs are subject to change.



**VIAT INSTRUMENTS PVT. LTD.**

2701 to 2704, Shilpangan Phase-II, Block LB-1  
Sector-III, Salt Lake, Kolkata - 700 098, INDIA  
Phones : (91-33) 9903805104, 23352925 ● Fax : (91-33) 23352926  
E-mail : viatin@viatin.com ● Website : www.viatin.com

**VIAT AMERICA, INC.**

30 Shepard, Irvine, CA 92620  
Tel: 949-679-0950 Fax: 949-417-1358  
E-mail : sales@viatamerica.com  
Website : www.viatamerica.com