

RADIATOR VALVE FOR TRANSFORMER RADIATORS

Model 205 Series



With Welding Neck Flange
Type RT100



With Flange
Type RT100F

FEATURES

- 100% pressure tested at 25 PSI.
- 100% tested to withstand full vacuum.
- Valves supplied with mounting 'O' Ring, cover plate and mounting hardware.
- Valve coated with epoxy primer. Optional powder coating to shade ASA 70.
- NBR gaskets suitable for transformer oil. Optional Viton® gasket.

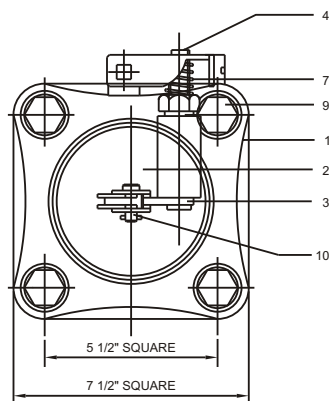
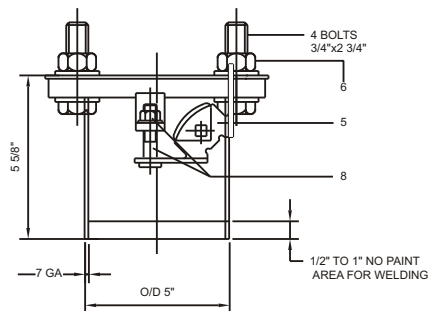
VIAT

INSTRUMENTS

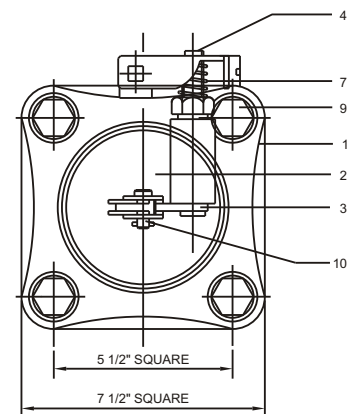
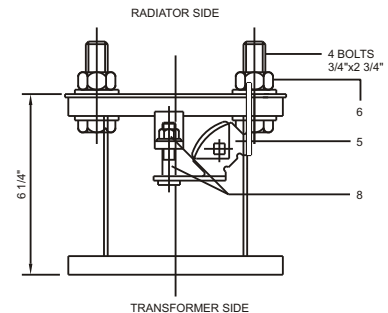
CA205R0



With Welding Neck Flange ~ Type RT100



With Flange ~ Type RT100F



DESCRIPTION

The Valve mainly consists of forged steel body (1) with a flap assembly (2). The flap can be rotated with a stem (4) and locked either in the open or close position. The gasket on the flap seals against the machined surface of the flange on the body.

OPERATION

To operate the valve, remove locking nut and bolt (8) and rotate the stem in the direction indicated on the indicator plate (5). The flap assembly will rotate to its extreme position by approximately 90°. Tighten the locking nut and bolt after operating the valve.

Part No.	Description	Material Specification
1	Flange	Steel
2	Flap	Steel
3	Flap Assembly	
4	Stem	Steel
5	Indicator Plate	Brass
6	Mounting Hardware	Steel
7	Spring	Stainless Steel
8	Locking Bolt & Nut	Stainless Steel
9	Packing Nut	Brass
10	Spiral Pin	

Due to our policy of continuous product improvement, dimensions and designs are subject to change.



VIAT INSTRUMENTS PVT. LTD.

2701 to 2704, Shilpangan Phase-II, Block LB-1
Sector-III, Salt Lake, Kolkata - 700 098, INDIA
Phones : (91-33) 9903805104, 23352925 ● Fax : (91-33) 23352926
E-mail : viatin@viatin.com ● Website : www.viatin.com

VIAT AMERICA, INC.

30 Shepard, Irvine, CA 92620
Tel: 949-679-0950 Fax: 949-417-1358
E-mail : sales@viatamerica.com
Website : www.viatamerica.com